

PRODUCT IMAGE / IMAGE DU PRODUIT



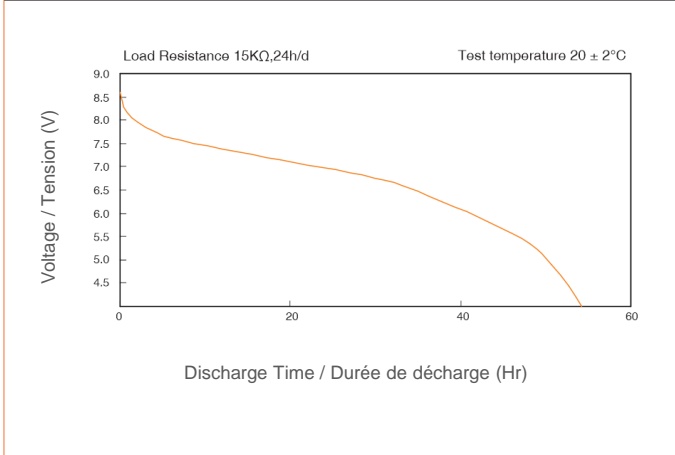
GENERAL SPECIFICATIONS / SPECIFICATION GÉNÉRALES

Technology / Technologie	Zinc Manganese Dioxide (Li/MnO ₂)
DeCross Ref / Réf croisées	L822
Nominal Capacity / Capacité Nominale	22 mAh
Nominal voltage / Tension nominal	9V
Average weight (g) / Poids moyen (g)	3.6g
Shelf Life / Durée de vie	5 years / 5 ans
Dimension (mm)	Φ 8.0×22.3

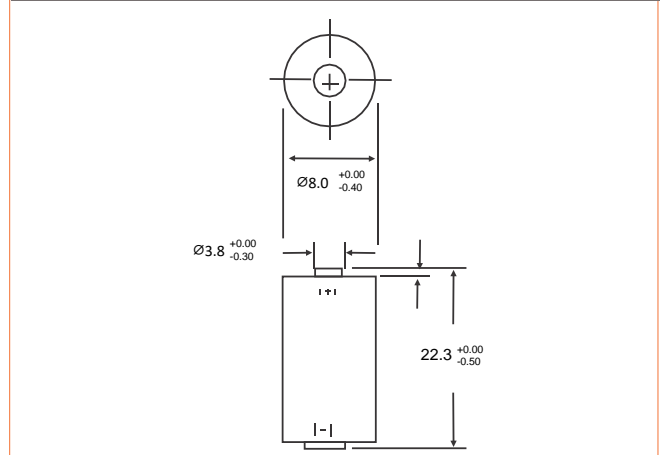
TEMPERATURE & APPLICATIONS

Operating temperature range / Température d'utilisation	-20°C to +60°C
Recommended applications / Applications recommandée	keyless entry Remote controls

DISCHARGE CHARACTERISTICS



NOMINAL DIMENSION (mm)



SAFETY / KEY FEATURES - SÉCURITÉ / CARACTÉRISTIQUES

Stable voltage during discharge / Tension stable pendant la décharge

High safety and reliability / Haute sécurité et fiabilité

High current pulse discharge capability / Capacité de décharge d'impulsion à courant élevé

*The above information is generally descriptive only and is not intended as guarantee or warranty
 **Uniross reserves the right to alter or amend the design, model and specification without prior notice.